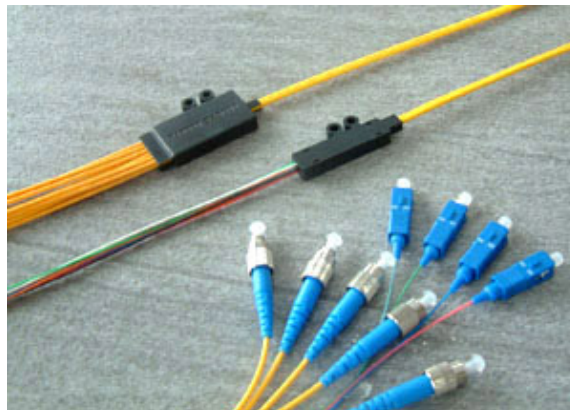




FIBER OPTIC FAN-OUT CORDS

Description

Fiber optic fan-outs are designed for patch panels or cable ducts where space-saving is required. The patch panels have either array fusion splicing (between outside plant cables and bare ribbon pigtails) or array interconnections (MPO/MTP fan-out). For cables that run from patch panels to equipment or patch panels to patch panels, the fan-out cords with either ribbon cables or distribution cables can save space for cable ducts. Distribution cables are more rugged than ribbon cables.



Most popular connectors, such as SC*1, FC*1, ST*2, LC, E2000*3, MU, DIN, D4, and MPO/MTP*4 are available. A fan-out cord can have MPO/MTP at one end, and fan-out terminated with single fiber connectors at the other end. The fan-out tube has a choice of 900um or 2mm.

*1 SC and FC are trademarks of NTT Advanced Technology Corp.

*2 ST is a trademark of Lucent Technologies

*3 The E2000 connectors are manufactured under license of Diamond SA.

*4 MTP is a trademark of US Conec Ltd.

Features

- 4, 6, 8 and 12-fiber count available
- Save duct space and installation time
- 900um, or 2mm fan-out tube
- Easy to use
- Jacketed ribbon cables, bare ribbons, or distribution cables

Applications

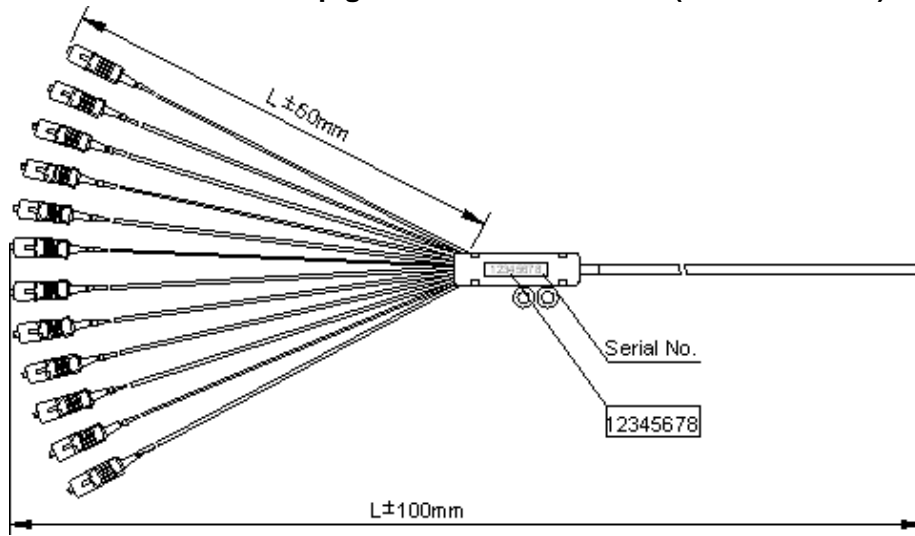
- Telecommunication
- Long haul networks
- CATV networks
- Building interconnections

Specifications

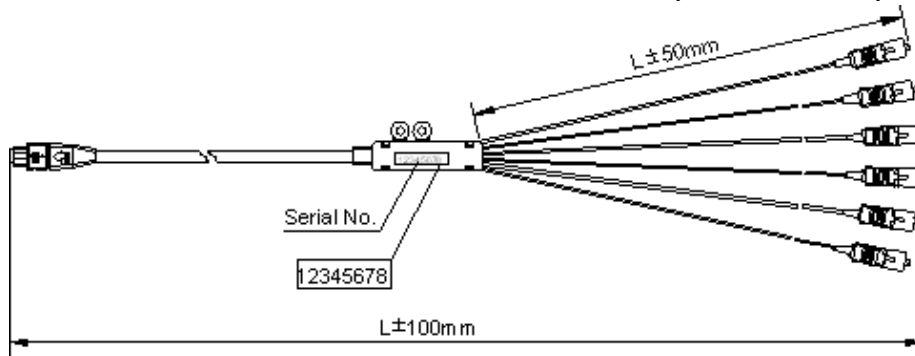
Characteristics	Unit	Value/Performance	
Fiber Count	-	4, 6, 8 or 12	
Cable Type	-	Bare ribbon, jacket ribbon or distribution cable	
Optical Performance	-	See corresponding patch cord data sheets	
Fan-out Diameter		900um	2mm
Operating Temperature	°C	0 ~ +70°C	-20 ~ +70°C
Storage Temperature	°C	-5 ~ +70°C	-40 ~ +70°C
Tensile strength	kg	≥2.5kg	≥6.8kg

Dimensional Drawing

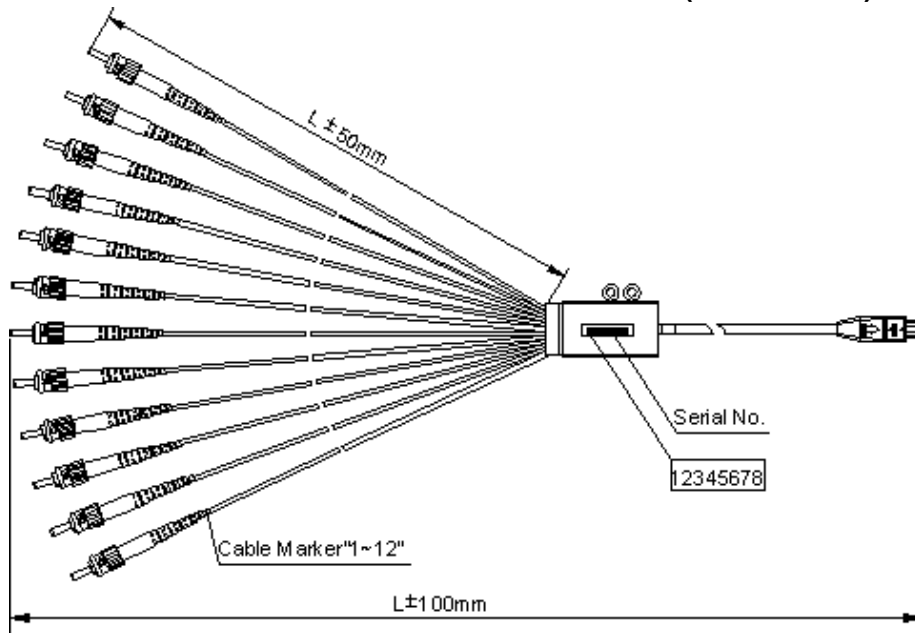
Bare ribbon fan-out pigtail with flat fan-out kit (900um fan-out)



Ribbon cable fan-out cord with flat fan-out kit (900um fan-out)

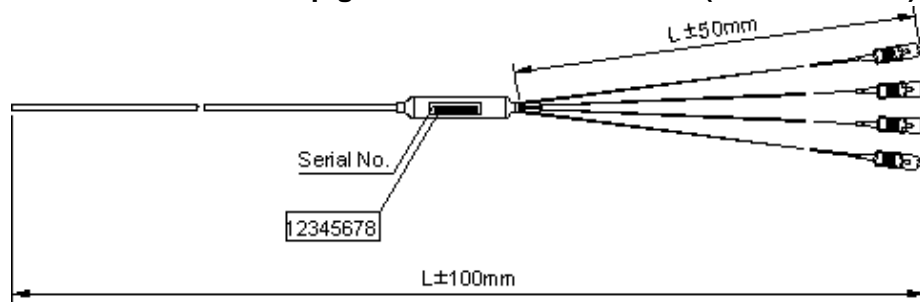


Ribbon cable fan-out cord with flat fan-out kit (2mm fan-out)

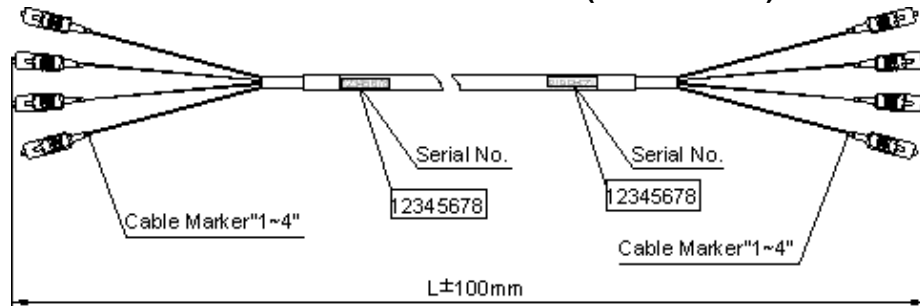


Dimensional Drawing

Ribbon cable fan-out pigtail with round fan-out kit (900um fan-out)



Distribution cable fan-out cord (2mm fan-out)



Ordering Information

Part Number: **FO-JR 12 R 10 F -A M O F -B S U 2.0- 1**

1 2 3 4 5 6 7 8 9 10 11 12 13

1 Cable Type	JR=Jacket Ribbon, BR=Bare Ribbon, DS=Distribution Cable
2 Fiber Count	4, 6, 8 or 12
3 Fiber Type	R=SM, K=62.5um, C=50um, B=OM2, A=OM3
4 Cable Length	Length in meter, i.e. 10=10m
5 Fan-out Kit Type	F=Flat, R=Round
6 Connector at A	MO=MPO, MP=MTP, L=LC, E2=E2000, F=FC, S=SC, T=ST, etc.
7 Finish or Gender at A	S=SPC, U=UPC, A=APC, P=PC, MPO/MTP: F=Female; M=Male
8 Tubing Diameter at A	2.0=Ø2.0mm, 0.9=Ø0.9mm, etc.; blank = no fan-out (MPO/MTP)
9 Fan-out Length at A	Length in meter, i.e. 1=m; blank = no fan-out (MPO/MTP)
10 Connector at B	P=Pigtail (no connector at this end), MO=MPO, MP=MTP, L=LC, E2=E2000, F=FC, S=SC, T=ST, etc.
11 Finish or Gender at B	S=SPC, U=UPC, A=APC, P=PC, T=Pigtail, MPO/MTP: F=Female; M=Male
12 Tubing Diameter at B	2.0=Ø2.0mm, 0.9=Ø0.9mm, etc.; blank = no fan-out (MPO/MTP or pigtail)
13 Fan-out Length at B	Length in meter, i.e. 1=m; blank = no fan-out (MPO/MTP or pigtail)

Products manufactured in
ISO 9001 certified facilities



Pacific Interconnections • www.pacificinterco.com • 425-2779527

We reserve the rights to make any changes to the product(s) or information contained herein without notice. No liability is assumed.