



## RACK MOUNT SPLICE AND TERMINATION BOXES

### Description

The rack mount splice and termination boxes (Fig. 1) perform fiber splicing, distribution, termination, patching, storage and management in one unit. They support both cross-connect and interconnect architecture, and provide interfaces between outside plant cables and transmission equipment.

The box has economical design with a removable top cover allowing the access of the splice tray(s) from the top as shown in Fig. 2. Additional splice trays (Fig. 3) can be stacked on top to increase capacity. Each splice tray can accommodate up to 24 single fiber splice protection sleeves (with diameter of 2.3mm) or 6 ribbon splice protection sleeves. Splice trays can be opened individually and removed from the box. Excess length of cables/pigtails is stored in reels. The outside-plant cable input ports are located at the rear panels.

The splice and termination boxes are rack mountable in standard 19" or ETSI (515mm) equipment rack, and are available in Rack Unit of 1 or 2.

The box accepts various adapter types. The box with height of 1 or 2 Rack Unit has a capacity of 24 or 48 for SC, ST and FC, and a capacity of 48 or 96 for LC and MTRJ.

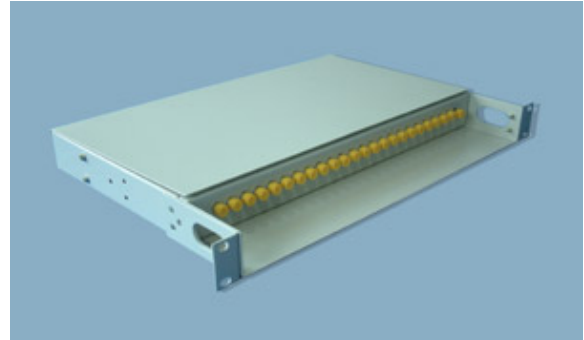


Fig. 1 Splice and termination box

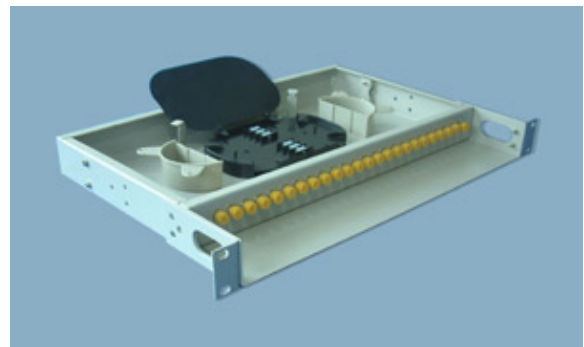


Fig. 2 The box with top cover open

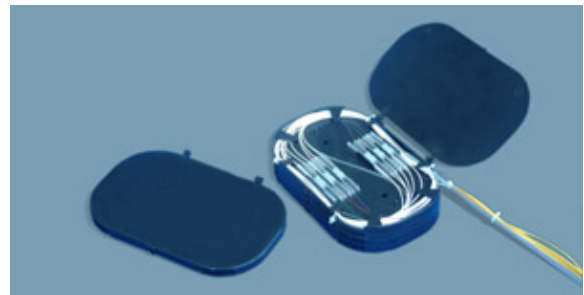


Fig. 3 Splice trays

### Features

- 19", ETSI or 23" rack mount
- Provides fiber splicing, termination, management and storage in one unit
- Economical design
- High density - up to 48 fibers for a 1U unit and 96 fibers for a 2U unit when LC is used
- Replaceable front adapter panel
- Supports single and ribbon fiber splices
- Removable top cover
- Made from cold-rolled carbon steel sheets
- Guaranteed fiber bend radius >30mm

## Applications

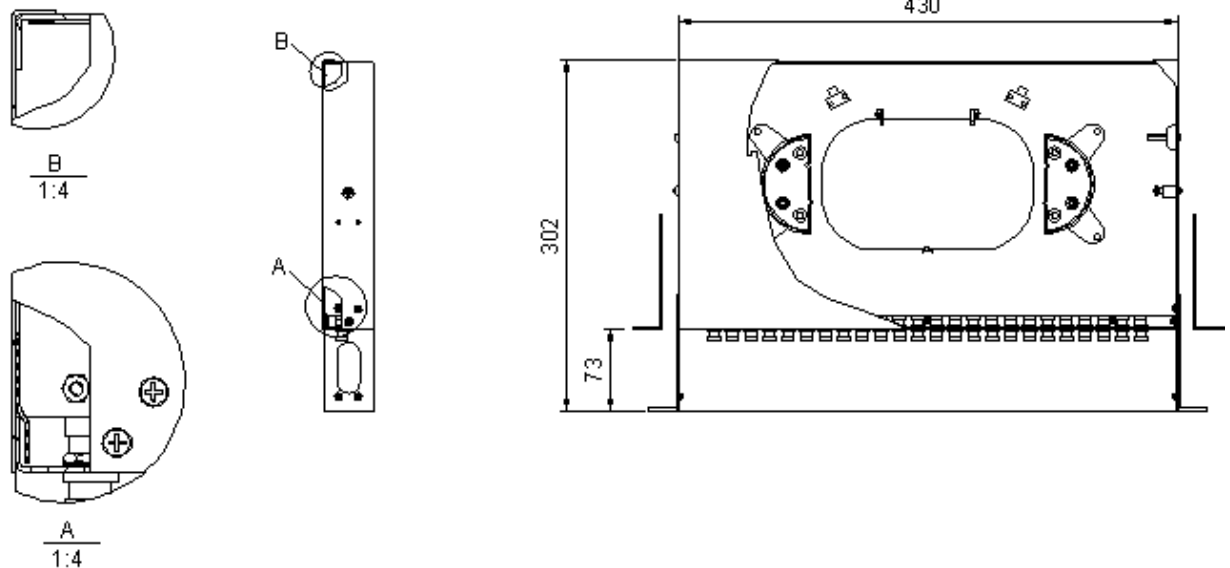
- Interconnects
- Cross-connects
- Independent service providing
- CATV networks
- Main distributions
- Intermediate distributions
- Telephone closets

## Specifications

Distribution Enclosures			
Type		ODF-RB1	ODF-RB2
No. of Rack Units		1	2
Max Capacity	Connectors with 2.5mm ferrules	24 fibers	48 fibers
	Connectors with 1.25mm ferrules	48 fibers	96 fibers
Max. No. of Splice Trays		2	4
Weight		3kg	4.5kg
Dimension with brackets*1		45x482x300 mm <sup>3</sup>	90x482x300 mm <sup>3</sup>
Splice Trays			
Splice Protection Sleeve Type	Single Fiber, 3mm dia.	Single Fiber, 2.3mm dia.	Ribbon Fiber
Max. No. Protection Sleeves	12	24	6

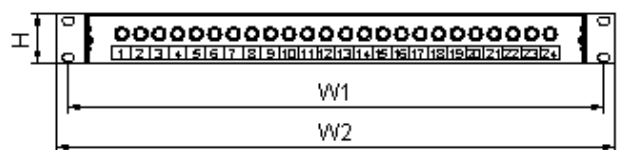
\*1 Dimensions are HxWxD. The bracket width is for 19" rack. See drawing below for bracket widths for ETSI and 23" rack.

## Dimensional Drawing



U	H(mm)
1	45
2	90

Rack	W1 (mm)	W2 (mm)
19"	485	482
23"	566.6	583.6
ETSI	515	535



Unit in mm

## Ordering Information

Part Number: **ODF-RB 1 FC R 24 S**

**1 2 3 4 5 6 7**

<b>1</b> Product Type	RB	Fiber splice and termination box
	ST	Splice tray
<b>2</b> Size	1	1U
	2	2U
	Blank	For splice tray
<b>3</b> Adapter Type	FC	FC/PC
	FA	FC/APC
	SC	SC/PC simplex
	SC2	SC/PC duplex
	SA	SC/APC simplex
	SA2	SC/APC duplex
	ST	ST/PC
	LC	LC/PC simplex
	LC2	LC/PC duplex
	E2	E2000/PC simplex
	MR	MTRJ
	DN	DIN/PC
	DNA	DIN/APC
	Blank	For splice tray and mounting bracket.
<b>4</b> Adapter Grade	R	Single mode (SM)
	K	Multimode (MM)
	Blank	For splice tray, and mounting bracket.
<b>5</b> Number of Ports	12	Single fiber, 12 ports, loaded with adapters and 1 splice tray
	24	Single fiber, 24 ports, loaded with adapters and 2 splice trays
	36	Single fiber, 36 ports, loaded with adapters, and 3 splice trays for 2U box or 2 splice trays for 1U box*2
	48	Single fiber, 48 ports, loaded with adapters, and 4 splice trays for 2U box or 2 splice trays for 1U box*2
	72	Single fiber, 72 ports, loaded with adapters and 4 splice trays
	96	Single fiber, 96 ports, loaded with adapters and 4 splice trays
	12R	Ribbon fiber, 12 ports, loaded with adapters and 1 splice tray
	24R	Ribbon fiber, 24 ports, loaded with adapters and 1 splice tray
	36R	Ribbon fiber, 36 ports, loaded with adapters and 1 splice tray
	48R	Ribbon fiber, 48 ports, loaded with adapters and 2 splice trays
	72R	Ribbon fiber, 72 ports, loaded with adapters and 2 splice trays
	96R	Ribbon fiber, 96 ports, loaded with adapters and 3 splice trays
	Blank	Unloaded with adapters and splice trays, and mounting bracket.
<b>6</b> Bracket Type	S	For standard 19" rack
	E	For ETSI rack
	W	For 23" rack
	Blank	For splice tray
<b>7</b> Custom Code	Blank	Standard
	XXX	000, 001, 002, .....The code is defined upon request.

\*2 2.3mm diameter splice protection sleeves are used. 3mm diameter sleeves are used for others.

Part Number Examples	
Part Number	Description
ODF-RB1FCR12S	Distribution enclosure, 1U, 19" rack mount, 12 SM FC adapters loaded, for single fiber splicing.
ODF-RB1SA2R24E	Distribution enclosure, 1U, ETSI rack mount, 12 SM SC/APC duplex adapters loaded, for single fiber splicing.
ODF-RB1LC2K48S	Distribution enclosure, 1U, 19" rack mount, 24 MM LC duplex adapters loaded, for single fiber splicing.
ODF-RB2STK48W	Distribution enclosure, 2U, 23" rack mount, 48 MM ST adapters loaded, for single fiber splicing.
ODF-RB2MRK96S	Distribution enclosure, 2U, 19" rack mount, 48 MM MTRJ adapters loaded, for single fiber splicing.
ODF-ST12	Splice tray for single fiber splice, 12 splice protection sleeves included.
ODF-ST24	Splice tray for single fiber splice, 24 splice protection sleeves included.
ODF-ST48R	Splice tray for ribbon fiber splice, 4 splice protection sleeves included.
ODF-ST72R	Splice tray for ribbon fiber splice, 6 splice protection sleeves included.
ODF-BKS	Mounting bracket for standard 19" rack.
ODF-BKE	Mounting bracket for ETSI rack.
ODF-BKW	Mounting bracket for 23" rack.

Products manufactured in  
ISO 9001 certified facilities



**Pacific Interconnections • [www.pacificinterco.com](http://www.pacificinterco.com) • 425-2779527**

We reserve the rights to make any changes to the product(s) or information contained herein without notice. No liability is assumed.