

No	DESCRIPTION	MATERIAL	REMARKS
1	FERRULE	ZIRCONIA CERAMIC	PC
2	FLANGE	SUS 303	
	FERRULE & FLANGE GAP		0.02mm
	APEX OFFSET		0.05mm

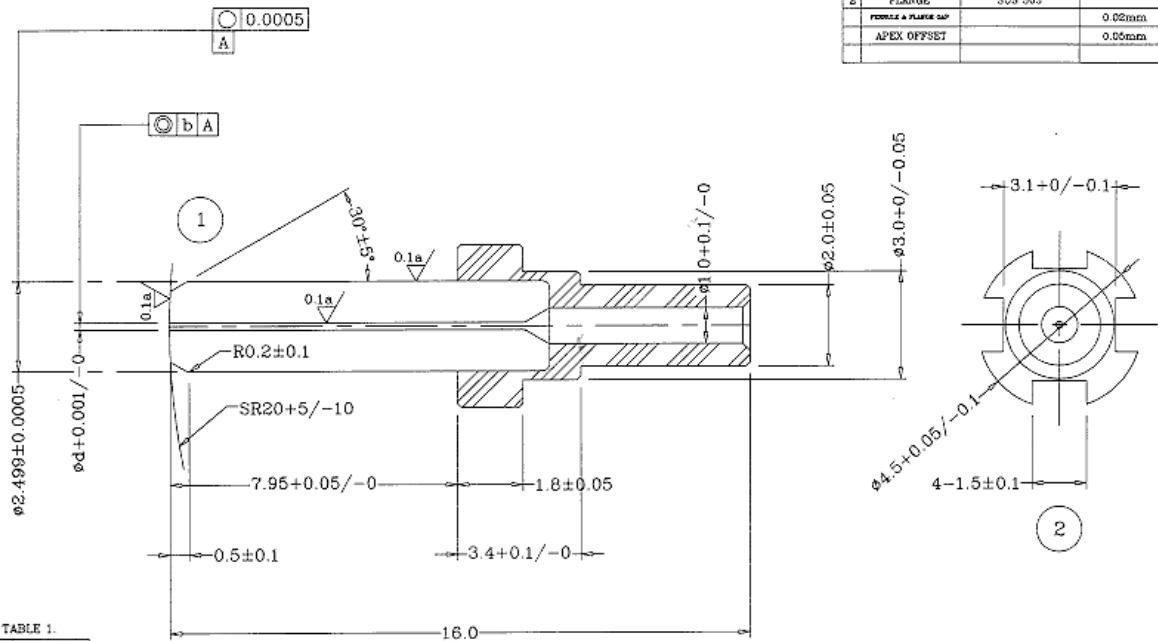


TABLE 1.

	d
125	0.125
125.5	0.1255
126	0.126
127	0.127
128	0.128

TABLE 2.

	MODE	CONCENTRICITY
S/M	SINGLE MODE	$b \leq 0.001$
M/M	MULTI MODE	$b \leq 0.003$

PACIFIC OPTICONNECT LTD.

TITLE SC PC WF  
 DWG NO' DWOC-F1-02

SCALE	8 : 1	REV NO'	PROJECTION
	UNIT		
DATE	2001.08.07		
DESIGN	CHECKED	REVIEWD	APPROVED
SIGNATURE			