

FIBER OPTIC ATTENUATORS



SC, FC, LC, MU and ST



PACIFIC
INTERCONNECTIONS
- connecting the world with fiber optics



BUILD-OUT FIBER OPTIC ATTENUATORS

Description

Pacific Interconnections offers high quality build-out attenuators ranging from 1 to 30dB. Each attenuator is made with continuous light-absorbing and metal-ion doped fiber which offers excellent environmental stability and low back reflection. The front of the attenuator is a male plug connector style that allows the attenuators to be plugged directly into receiver equipment or adaptors in patch panel. The rear is a female socket adaptor that allows a patch cord to be mated into the back of the attenuator. The attenuator is available in SC, FC, ST, LC, and MU type.



In a fiber optic system, build out attenuators play an important role in controlling optical power levels in Telecommunications, CATV applications and other single mode fiber optic communications applications. As such, they must offer consistent performance over a range of operating conditions so attenuation levels remain constant and predictable.

Features

- Compliant with bellcore GR910
- Long term reliability
- Simple manipulation
- High power endurance
- High return loss
- Low PDL

Applications

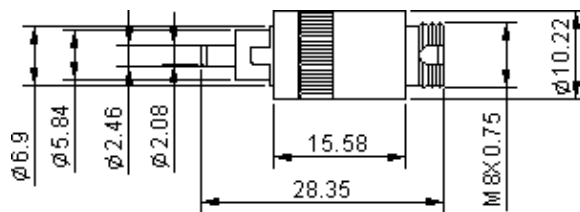
- EDFA
- Power balancing in DWDM
- CATV
- Power leveling in optical add/drop multiplexing

Specifications

Characteristics	Unit	Conditions	Values
Attenuation	dB	UPC APC	1 ~ 30 1 ~ 20
Return Loss	dB	UPC APC	≥50 ≥60
Operating Wavelength	nm	-	1310 and 1550, 1240 - 1600
Attenuation Accuracy	-	1 ~ 4dB 5 ~ 30dB	≤0.5dB ≤10%
Operating Temperature	°C	-	-40 ~ +75
Storage Temperature	°C	-	-40 ~ +85
Polarization Dependent Loss	dB	-	≤0.2
Relative Humidity	%	75°C	95
Vibration	dB	10 ~ 55, 2Hrs	ΔIL≤0.2
Impact	dB	1.5m, 5 drops	ΔIL≤0.2

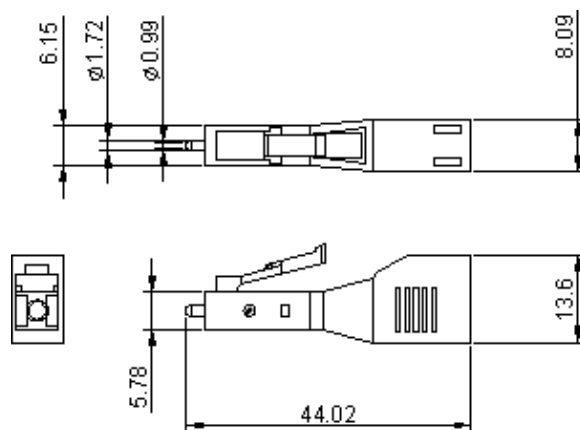
Dimensional Drawing

FC



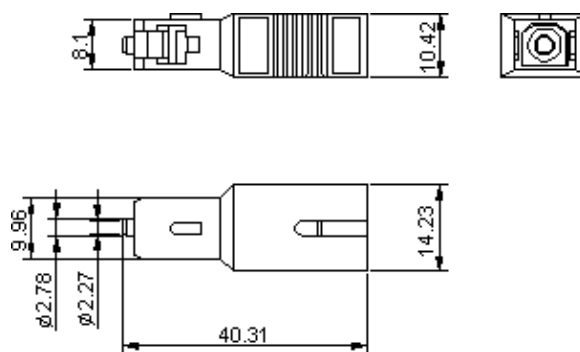
Unit in mm

LC



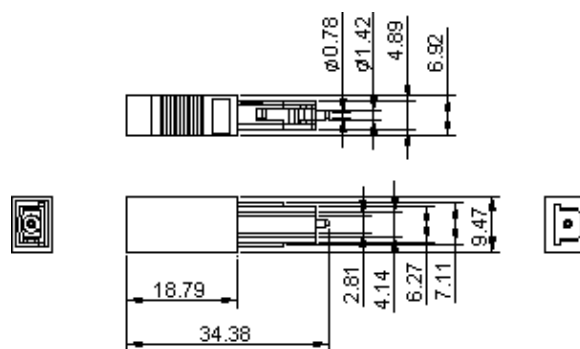
Unit in mm

SC



Unit in mm

MU



Unit in mm

Ordering Information

Part Number: **ATB- S U R 10 A**

1 2 3 4

1 Connector	S=SC, F=FC, T=ST, L=LC, M=MU, etc.
2 Finish	U=UPC, A=APC
3 Attenuation	1dB, 2dB, 5dB, 10dB, 15dB, 20dB or others
4 Wavelength	A = 1310nm & 1550nm, B = 1240-1600nm

Products manufactured in
ISO 9001 certified facilities



Pacific Interconnections • www.pacificinterco.com • 425-2779527

We reserve the rights to make any changes to the product(s) or information contained herein without notice. No liability is assumed.