



FC FIBER OPTIC ADAPTERS

Description

Pacific interconnections' FC* adapter has a metal housing and either a precision zirconia or a rugged phosphor bronze sleeve. Zirconia sleeve enables stable connection and thus enhances performance, and is ideal for single mode applications. Phosphor bronze sleeve provides durability, and is ideal for multimode applications. Square flange mount and "D" hole mount styles are available.

*FC is a trademark of NTT Advanced Technology Corp.



Features

- Low insertion loss
- Good exchangeability and repeatability
- Zirconia or phosphor bronze sleeve
- Square flange or "D" hole mount style

Applications

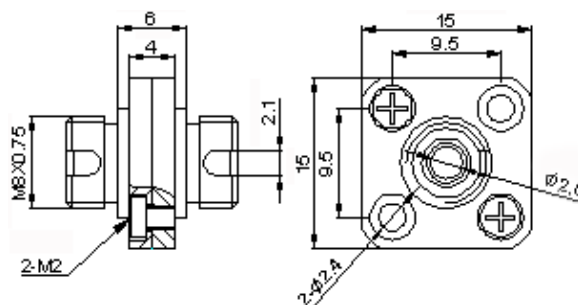
- Telecommunication
- Computer networks
- CATV networks
- Active device termination
- Instrumentation

Specifications

Characteristics	Unit	Single Mode	Multimode
Insertion Loss (IL)	dB	≤ 0.3	
Exchangeability	dB	$\Delta IL \leq 0.2$	
Repeatability (500 remates)	dB	$\Delta IL \leq 0.2$	
Sleeve material	-	Zirconia	Phosphor bronze
Housing material	-	Nickel plated Copper	
Operating Temperature	°C	-40 ~ +70	
Storage Temperature	°C	-40 ~ +70	

Dimensional Drawing

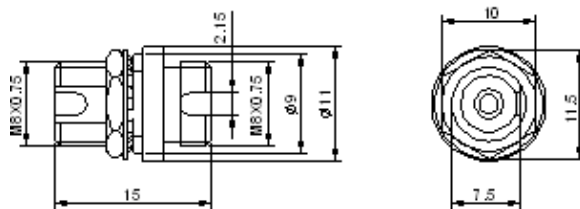
Square Flange



Unit in mm

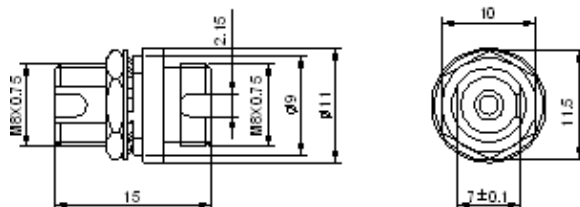
Dimensional Drawing

D-Hole



Unit in mm

DD-Hole



Unit in mm

Ordering Information

Part Number: **ADA-F A S R S**

1 2 3 4

- | | |
|---------------------------|--------------------------------------|
| 1 Connector Type | F=FC |
| 2 Connector Finish | P=PC, A=APC |
| 3 Sleeve Material | R=Zirconia, K=Phosphor bronze |
| 4 Mounting Style | S=Square Flange, D=D Hole, E=DD-Hole |

Products manufactured in ISO 9001 certified facilities



Pacific Interconnections • www.pacificinterco.com • 425-2779527

We reserve the rights to make any changes to the product(s) or information contained herein without notice. No liability is assumed.