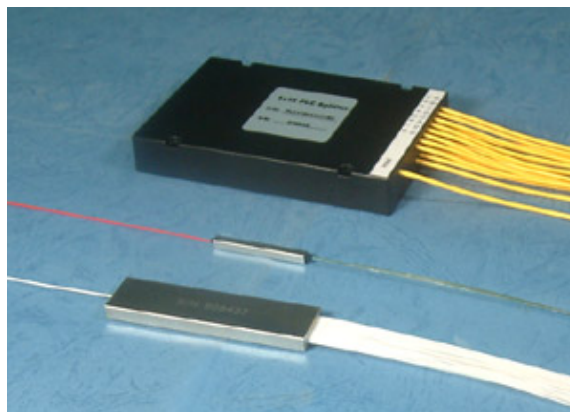




# PLC SPLITTERS

## Description

PLC splitters are based on the Planar Waveguide Technology. They provide a cost effective and space saving networking solution. They are key components in FTTX networks and are responsible to distribute the signal from central office to numbers of premises. They have very wide range of operating wavelength from 1260nm to 1620nm. With it's compact size, these splitters can be utilized in in-ground and aerial pedestals as well as rack mount systems.



Our PLC splitters feature low insertion loss, low polarization dependent loss, and high port uniformity. The PLC splitters are available in a variety of configurations, pre-terminated and pre-package in ruggedized cassettes, compact square tubes or flat tubes.

## Features

- Low loss
- Low polarization dependence
- Environmentally stable
- Excellent uniformity
- Telcordia GR-1221 and GR-1209

## Applications

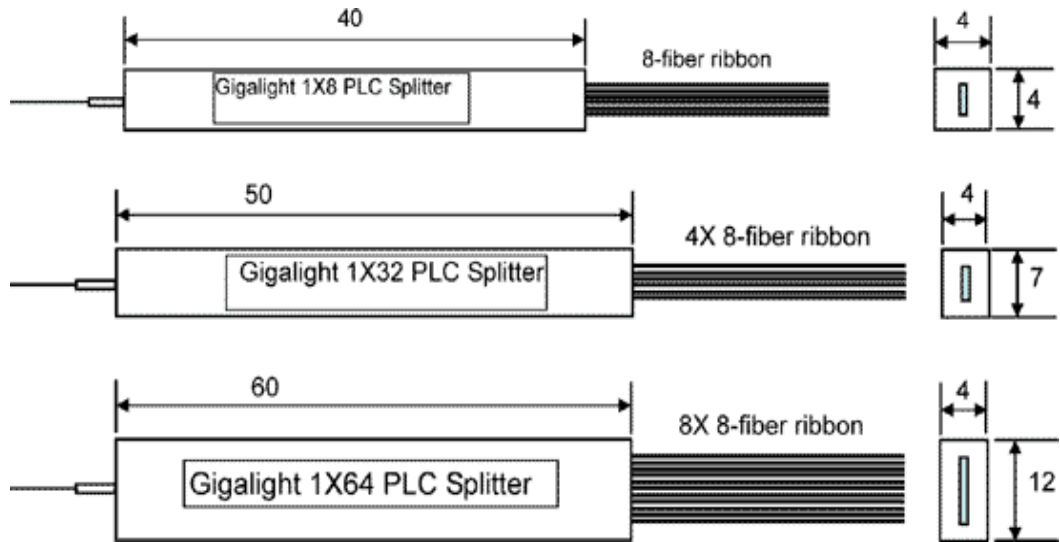
- FTTX
- Passive optical networks
- CATV
- LAN, WAN & Metro networks
- Test instrument

## Specifications

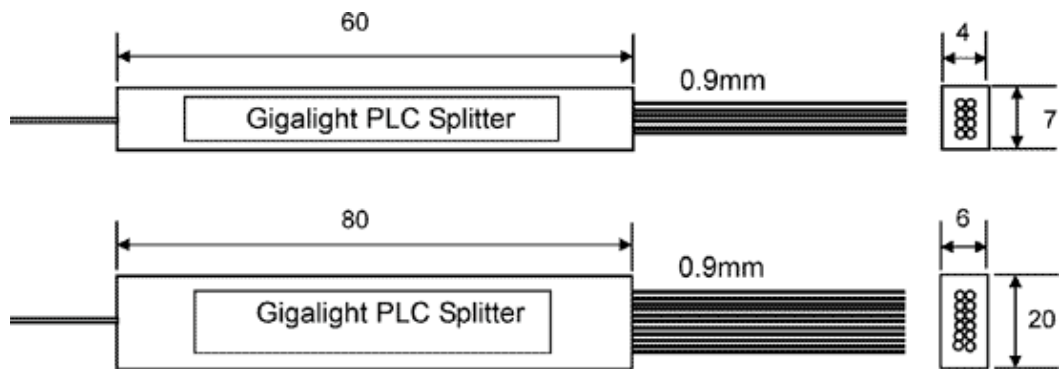
Characteristics		Unit	Value/Performance										
Operating Wavelength		nm	1260 - 1650, others on request										
Port Configuration		-	1x2	1x4	1x8	2x4	2x8	1x16	2x16	1x32	2x32	1x64	2x64
Insertion Loss		dB	≤4.0	≤7.3	≤10.5	≤7.6	≤11.0	≤13.7	≤14.4	≤16.9	≤17.5	≤21.0	≤21.0
Uniformity		dB	≤0.4	≤0.6	≤0.8	≤1.0	≤1.2	≤1.2	≤1.5	≤1.5	≤1.8	≤2.0	≤2.2
PDL		dB	≤0.2	≤0.2	≤0.2	≤0.2	≤0.3	≤0.25	≤0.3	≤0.3	≤0.4	≤0.35	≤0.4
Directivity		dB	≥55										
Operating Temperature		°C	-20 ~ +70										
Storage Temperature		°C	-40 ~ +85										
Max. Power		mW	300										
Lead Length		m	1, others on request										
Package Type		-	Box, square tube with bare ribbon, flat tube with 900um fibers										
Dimension	Cassette	mm	100x80x10				120x80x18			140x115x18			
	Sq. Tube	mm	40x4x4		50x4x4			50x7x4		60x7x4	60x12x4	N.A.	
	Flat Tube	mm	50x7x4		60x7x4			60x12x4		80x20x6		N.A.	

## Dimensional Drawing

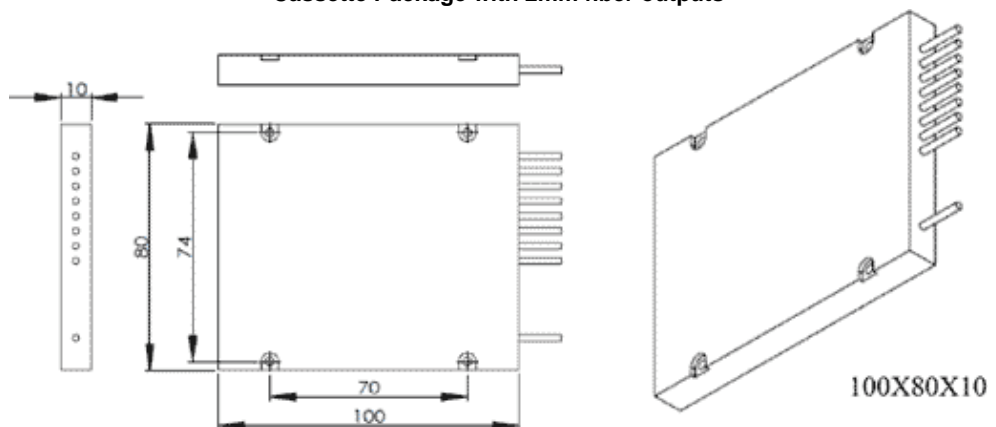
### Square Tube Package with ribbon fiber outputs



### Flat Tube Package with 900um fiber outputs

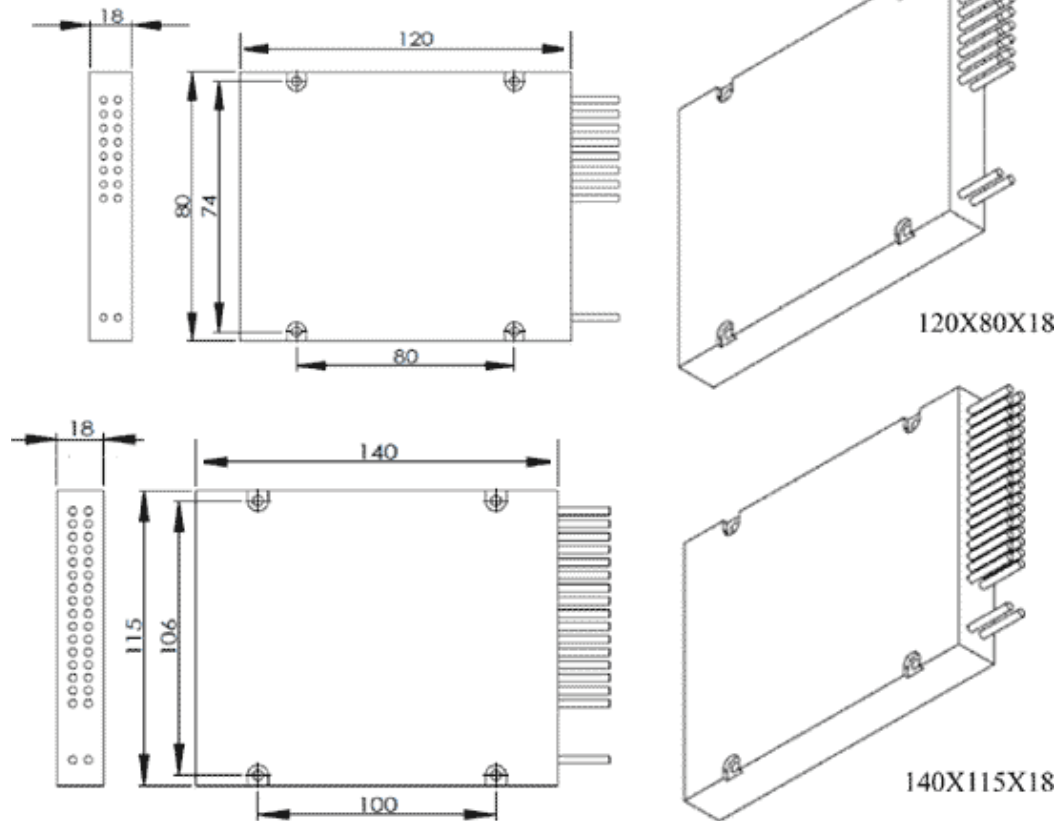


### Cassette Package with 2mm fiber outputs



## Dimensional Drawing

Cassette Package with 2mm fiber outputs



## Ordering Information

Part Number: **PLC-208ST 1 1 LU- 4 2 LU 1 3**

**1 2 3 4 5 6 7 8 9 10**

<b>1</b> Configuration	102=1x2, 104=1x4, 108=1x8, 208=2x8, 116=1x16, 232=2x32, etc.
<b>2</b> Package	BX=Box, ST=Square Tube, FT=Flat Tube
<b>3</b> Input Fiber Type	1=250um, 2=900um, 3=2.0mm
<b>4</b> Input Fiber Length	Length in meter, i.e. 1=1m, 1.5=1.5m
<b>5</b> Input Connector	Blank=no connector, LU=LC/UPC, SU=SC/UPC, SA=SC/APC, etc.
<b>6</b> Output Fiber Type	1=250um, 2=900um, 3=2.0mm, 4=Bare Ribbon
<b>7</b> Output Fiber Total Length	Length in meter, i.e. 1=1m, 1.5=1.5m
<b>8</b> Output Connector	Blank=no connector, LU=LC/UPC, SU=SC/UPC, SA=SC/APC, etc.
<b>9</b> Fan-out Length in meter	For bare ribbon output only, and blank for all other outputs
<b>10</b> Fan-out Fiber Jacket Type	2=900um, 3=2.0mm. For bare ribbon output only, and blank for all other outputs

Products manufactured in ISO 9001 certified facilities



Pacific Interconnections • [www.pacificinterco.com](http://www.pacificinterco.com) • 425-2779527

We reserve the rights to make any changes to the product(s) or information contained herein without notice. No liability is assumed.