



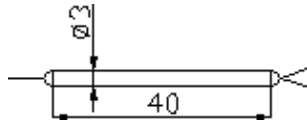
# COUPLER AND WDM PACKAGE INFORMATION

COUPLER AND WDM PACKAGE INFORMATION

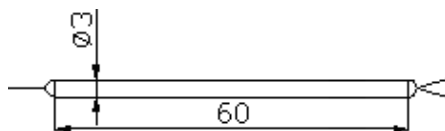
**Type    Dimension    Drawing (mm)**

**A Stainless Steel Tube**

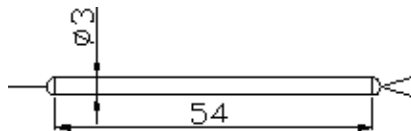
A1    Ø3mm x 40mm



A2    Ø3mm x 60mm

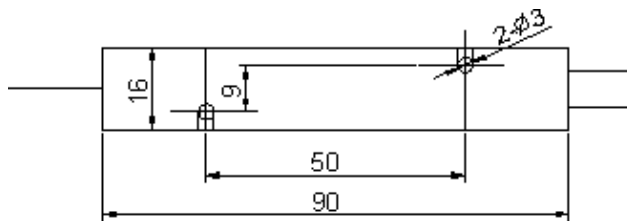


A3    Ø3mm x 54mm



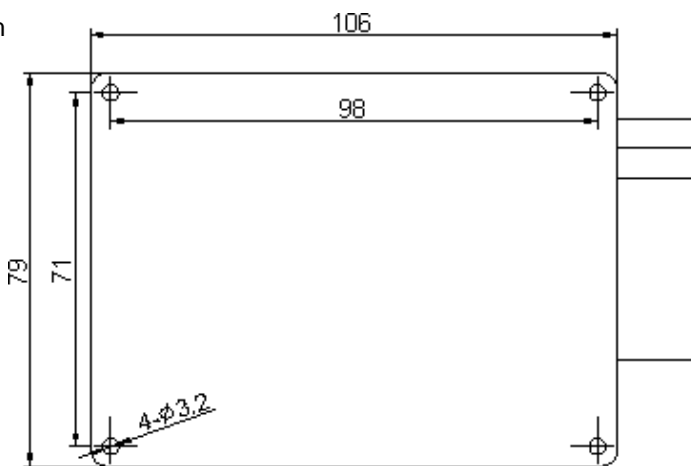
**B Small Metal Box**

90mm x 16mm x 9mm



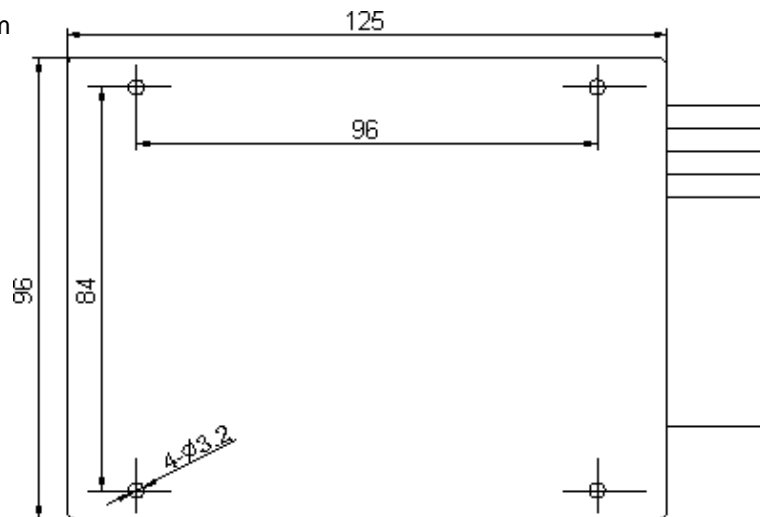
**C Median Plastic Box**

106mm x 79mm x 10mm



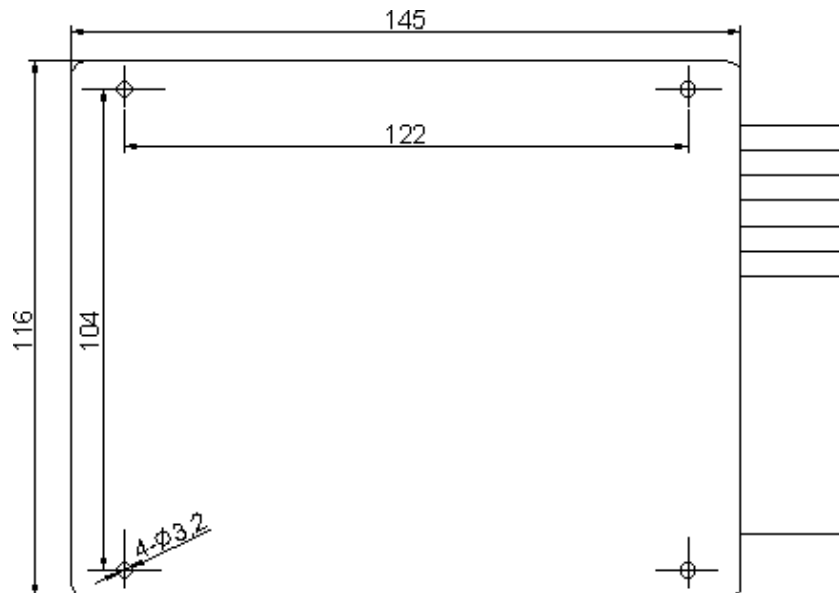
**D Large Plastic Box**

125mm x 96mm x 15mm



**E Extra Large Plastic Box**

145mm x 116mm x 18mm



Products manufactured in ISO 9001 certified facilities



Pacific Interconnections • [www.pacificinterco.com](http://www.pacificinterco.com) • 425-2779527

We reserve the rights to make any changes to the product(s) or information contained herein without notice. No liability is assumed.