



OUTDOOR WALL/POLE MOUNT FTTX BOXES

Description

The outdoor wall/pole mount FTTX boxes are environmentally sealed enclosures for splitting and redistributing optical power from feeder fibers to distribution fibers for FTTX networks. They are also designed for fiber splicing, termination, and management.

Each box has universal adapter plug-ins and splitter mounts. The universal adapter plug-in can accommodate a variety of adapters (see Fig. 3). It has high density and can house a maximum of 12 FC or SC simplex or LC duplex adapters, 6 SC duplex or LC simplex adapters, and many other types of adapters. The adapter plug-in provides oblique installation of adapters to avoid laser hazard to eyes.

Additional splice trays can be stacked on top to increase capacity. Each splice tray can install up to 24 single fiber splice protection sleeves (with diameter of 2.3mm) or 6 ribbon splice protection sleeves. Splice trays can be opened individually and removed from the box. Excess length of cables/pigtails is stored in reels on the front panel.

The FTTX boxes are available in two dimensions - 390x380x135mm³ and 506x390x140mm³. The first one can accommodate maximum 24 fiber counts for SC and FC connectors, and 48 fiber counts for LC connectors. The second one can accommodate maximum 48 fiber counts for SC and FC connectors, and 96 fiber counts for LC connectors.

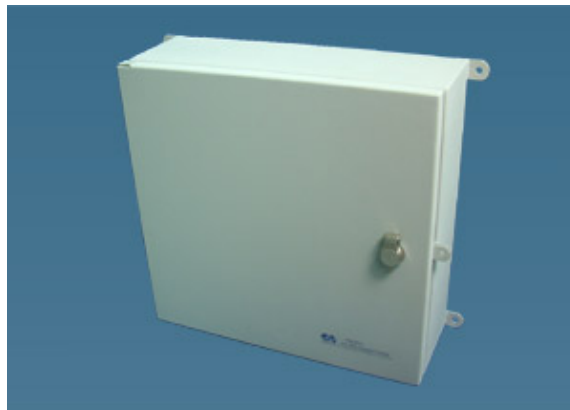


Fig. 1 Outdoor wall mount FTTX box

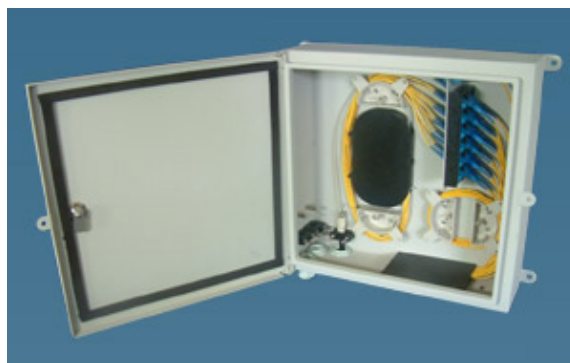


Fig. 2 Outdoor wall mount FTTX box



Fig. 3 Adapter plug-ins



Fig. 4 Splice trays



Fig. 5 Pole mount brackets

Features

- Wall or pole mountable
- Front door access
- Keyway entry
- Provides fiber splicing, splitting and termination in one unit
- Fiber bend radius control
- High density
- Made from galvanized steel sheet
- Universal adapter plug-in fits a variety of adapters such as SC, FC, LC, etc.
- High density adapter plug-in - 12 fibers for SC and 24 fibers for LC duplex
- Oblique installation of adapters to avoid laser hazard
- Low cost

Applications

- FTTX deployments
- For building entrance terminals
- Cross-connects
- Telephone closets
- For pre-connectorized cables
- Field installation of connectors
- Splicing of pigtails

Specifications

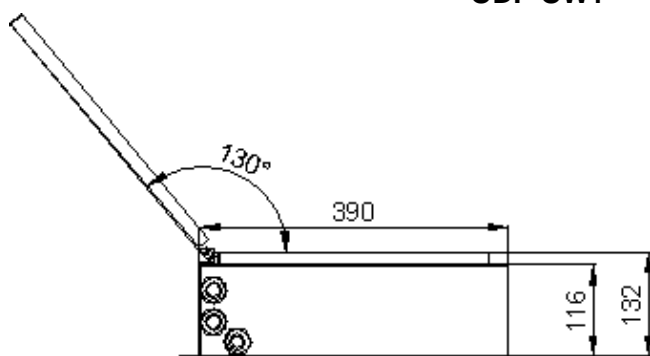
| Cabinets | | | | |
|--------------------------------|---------------------------|--------------------------|----------------------------|----------------------------|
| Type | | | ODF-OW1 | ODF-OW2 |
| Max Capacity*1 | 6-pack plug-in*2 | Simplex | 12 fibers | 24 fibers |
| | | Duplex | 24 fibers | 48 fibers |
| | 12-pack plug-in*2 | Simplex | 24 fibers | 48 fibers |
| | | Duplex LC & MTRJ | 48 fibers | 96 fibers |
| Max. No. of Splice Trays | | | 8 | 10 |
| Max. No. of Splitters | | | 2 | 2 |
| Weight | | | ≤7.5kg | ≤9kg |
| Dimension (W x H x D) | | | 390x380x135mm ³ | 506x390x140mm ³ |
| Adapter Plug-in | | | | |
| Adapter Type | LC duplex, FC, SC simplex | LC simplex, SC duplex | Others | |
| Max. Loaded Adapters | 12 (called 12-pack) | 6 (called 6-pack) | Please inquire | |
| Splice Trays | | | | |
| Splice Protection Sleeve Type | Single Fiber, 3mm dia. | Single Fiber, 2.3mm dia. | Ribbon Fiber | |
| Max. Loaded Protection Sleeves | 12 | 24 | 6 | |

*1 Max. capacity when 6-pack plug-ins and 12-pack plug-ins are installed.

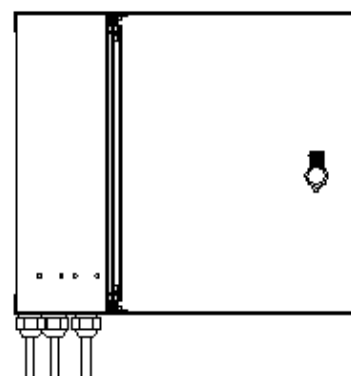
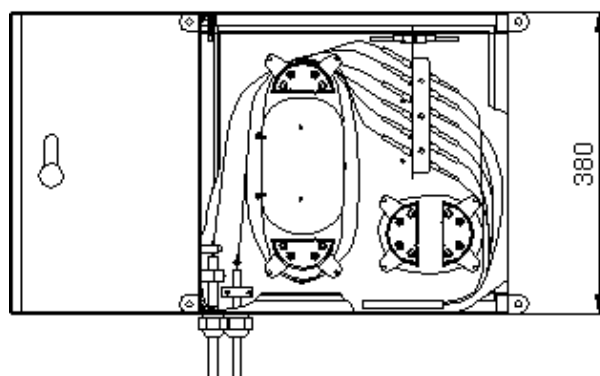
*2 6-pack plug-in is an adapter plug-in loaded with 6 adapters; 12-pack plug-in is an adapter plug-in loaded with 12 adapters.

Dimensional Drawing

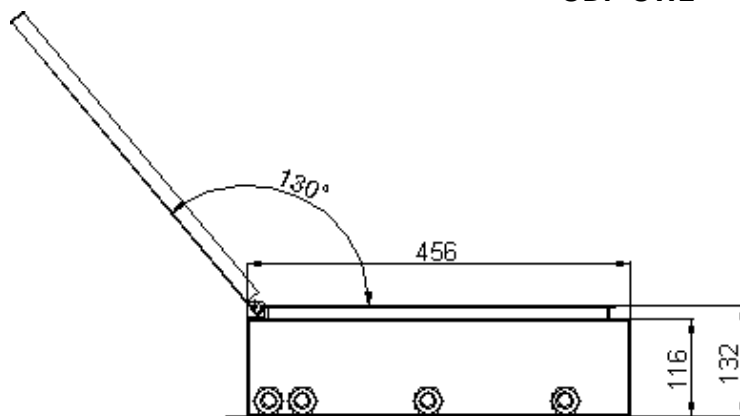
ODF-OW1



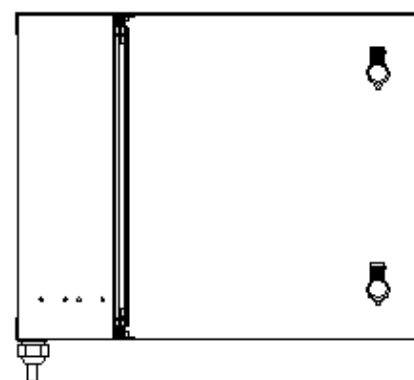
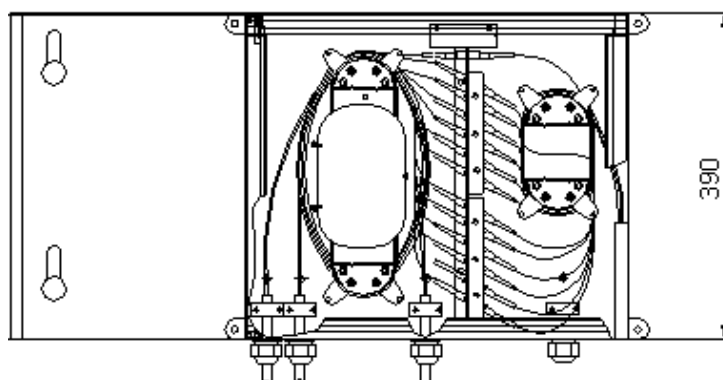
Unit in mm



ODF-OW2



Unit in mm



Ordering Information

Part Number: **ODF-OW 1 SC R 24**

1 2 3 4 5 6

| | | |
|--------------------------|------------------------|--|
| 1 Product Type | OW | Outdoor wall/pole mount cabinet |
| | ST | Splice tray |
| | AP | Adapter plug-in, included with the main unit |
| 2 Size | 1 | Loaded with 2 adapter plug-ins |
| | 2 | Loaded with 4 adapter plug-ins |
| | Blank | For adapter plug-in and splice tray |
| 3 Adapter Type | FC | FC/PC |
| | FA | FC/APC |
| | SC | SC/PC simplex |
| | SC2 | SC/PC duplex |
| | SA | SC/APC simplex |
| | SA2 | SC/APC duplex |
| | ST | ST/PC |
| | LC | LC/PC simplex |
| | LC2 | LC/PC duplex |
| | E2 | E2000/PC simplex |
| | MR | MTRJ |
| | DN | DIN/PC |
| | DNA | DIN/APC |
| | Blank | For splice tray |
| | 4 Adapter Grade | R |
| K | | Multimode (MM) |
| Blank | | For splice tray, horizontal cable guide and mounting bracket. |
| 5 Number of Ports | 12 | Single fiber, 12 ports, loaded with adapters, and 1 splice tray |
| | 24 | Single fiber, 24 ports, loaded with adapters, and 2 splice trays |
| | 36 | Single fiber, 36 ports, loaded with adapters, and 3 splice trays |
| | 48 | Single fiber, 48 ports, loaded with adapters, and 4 splice trays |
| | 12R | Ribbon fiber, 12 ports, loaded with adapters, and 1 splice tray |
| | 24R | Ribbon fiber, 24 ports, loaded with adapters, and 1 splice tray |
| | 36R | Ribbon fiber, 36 ports, loaded with adapters, and 1 splice tray |
| | 48R | Ribbon fiber, 48 ports, loaded with adapters, and 2 splice trays |
| 6 Custom Code | Blank | Standard |
| | XXX | 000, 001, 002,The code is defined upon request. |

*3 PLC splitters have to be ordered separately.

Part Number Examples

| Part Number | Description |
|---------------|---|
| ODF-OW1FCR12 | Outdoor FTTX box, Size-1, wall mount, 12 SM FC adapters loaded, for single fiber splicing. |
| ODF-OW1SA2R24 | Outdoor FTTX box, Size-1, wall mount, 12 SM SC/APC duplex adapters loaded, for single fiber splicing. |
| ODF-OW2LC2R48 | Outdoor FTTX box, Size-2, wall mount, 24 SM LC duplex adapters loaded, for single fiber splicing. |
| ODF-ST12 | Splice tray for single fiber splice, 12 splice protection sleeves included. |
| ODF-ST24 | Splice tray for single fiber splice, 24 splice protection sleeves included. |
| ODF-ST48R | Splice tray for ribbon fiber splice, 4 splice protection sleeves included. |
| ODF-APFCR6 | Adapter plug-in, 6 single mode FC adapters loaded. |
| ODF-APSAR12 | Adapter plug-in, 12 single mode SC/APC simplex adapters loaded. |
| ODF-APSC2K12 | Adapter plug-in, 6 multimode SC duplex adapters loaded. |
| ODF-APLC2K24 | Adapter plug-in, 12 multimode LC duplex adapters loaded. |
| ODF-PB | Pole mount bracket. |

Products manufactured in
ISO 9001 certified facilities



Pacific Interconnections • www.pacificinterco.com • 425-2779527

We reserve the rights to make any changes to the product(s) or information contained herein without notice. No liability is assumed.